

WCS310 BIOMEDIA

TECHNICAL DATASHEET

WCSEE enhanced 310m²/m³ neutral buoyancy (NB) plastic filter media supports the maximum surface area for the growth of bacteria in the filter bed whilst enabling the flow of water.

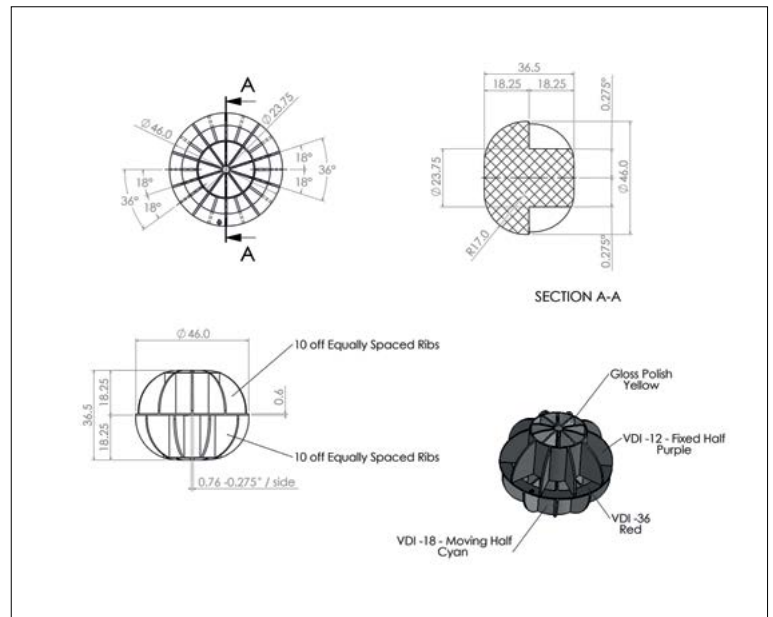
The NB Media has a high protected surface for Biochemical Oxygen Demand, Nitrification and Denitrification.

Filter media for SAF and MBBR wastewater treatment.



KEY FEATURES:

- Greater protection for exposed surfaces due to offset fins
- 100% recycled Polypropylene (PP)
- Designed to be installed for the life span of the plant
- Manufactured in the UK



Goods Parameters	Design Per Nominal 1m ³ volume
Material specification	100% recycled Polypropylene (PP)
Surface area	Nominal specific surface area of 310m ² /m ³ (+/- 2.5%)
Gravity	Specific gravity of element: 0.90-1
Unit Weight	1m cubed weight: (+/- 2.5%) 45.72kg

Disclaimer

WCS Environmental Engineering has a policy of continual product development and the above information may be subject to change without notice. Errors and omissions excepted. Technical drawings are indicative only. WCS Environmental Engineering Ltd is a portfolio company of Marlowe PLC.
Updated September 2024