

# CLIC-CLO MICROSCREEN

## TECHNICAL DATASHEET

Ideal tertiary polishing when further solids and/or Biological Oxygen Demand (BOD<sub>5</sub>) needs to be removed. The unique design of the drum filter maximises the surface area of filtration to achieve high removal efficiency with extremely low operating costs.



## KEY FEATURES:

- Fully automated system
- Integrated pumped backwash system
- Simple operation and low maintenance
- Easy installation or retrofit in to existing works
- Typical power consumption for 20 l/sec <0.3kw/hr
- Choice of Form 2 or Form 4 control panels
- Above ground installation stainless steel
- Below ground installation in a precast concrete channel
- Skid mounted option
- The process can be used to assist with achieving Fe & P compliance

## CARTRIDGE CLOTH FILTRATION SYSTEM:

The cartridge based screen cloth can be easily fitted within minutes, removing the need for time-consuming maintenance activities.

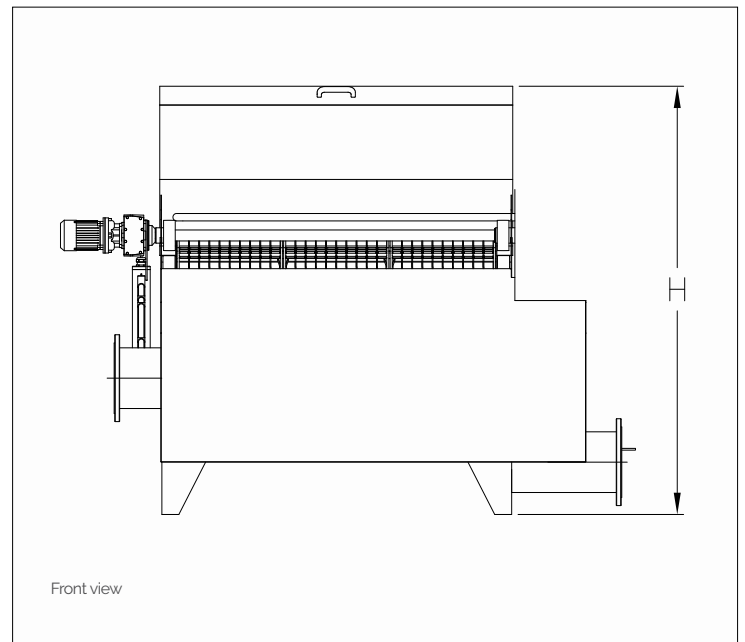
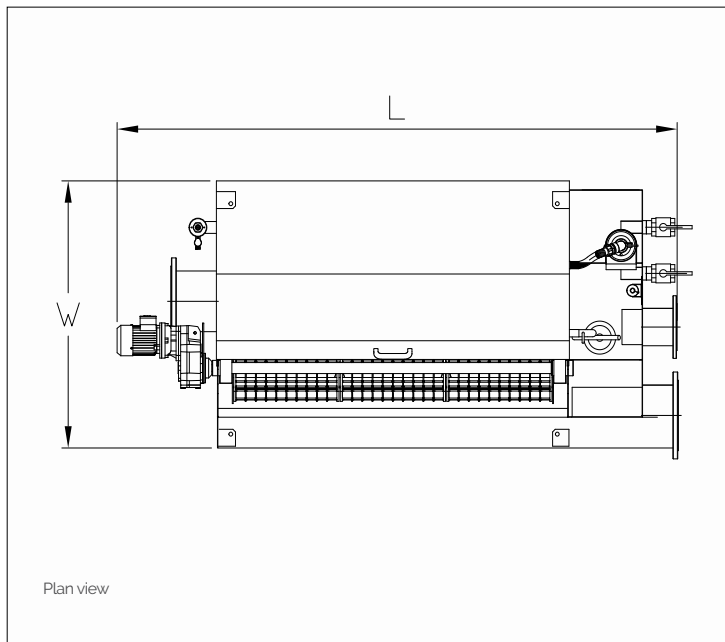
- One-size cartridge fits all models
- Easy to change on site without the need for a service call
- Polyamide or stainless steel cloths can be fitted
- From 20 microns upwards to provide flexibility on flow
- Use of backwash wastewater to clean the cloth

Model	Dimensions (mm)			Effective Filter Area	Flow rate @ 40mg/ltr with 40 micron cloth	Weight (Kg)		Inlet/Outlet (DN Flange)	Available for hire
	L	W	H			Empty	Operational		
<b>1FBO</b>	1367	1029	1321	0.420	5 L/s	250	730	DN150	
<b>2FBO/5BMF10</b>	1958	1166	1420	1.100	10 L/s	280	1085	DN200	✓
<b>3FBO/10BMF10</b>	2716	1398	1655	2.400	26.3 L/s	570	2250	DN250	✓
<b>4FBO</b>	3218	1727	1775	4.200	52.5 L/s	750	3810	DN300	✓
<b>5FBO</b>	3828	1746	1963	6.200	65.6 L/s	1200	7300	DN400	
<b>6FBO</b>	4815	2145	2229	8.700	141.4 L/s	2200	15000	DN500	

**Table Example:**

Influent max. in-flow capacity with TSS @ 40mg/ltr (95%ile)

Filter Type	Capacity of Filter (L/s) at various apertures (µM)			
	60	40	30	20
<b>1FBO</b>	8	5	4	2.5
<b>2FBO</b>	20	10	10	7
<b>3FBO</b>	45	26.3	21	14
<b>4FBO</b>	87	52.5	42	27
<b>5FBO</b>	105	65.6	52	35
<b>6FBO</b>	205	141.4	115	75



**Disclaimer**

WCS Environmental Engineering has a policy of continual product development and the above information may be subject to change without notice. Errors and omissions excepted. Technical drawings are indicative only. WCS Environmental Engineering Ltd is a portfolio company of Marlowe PLC.