

# T300 UNITS

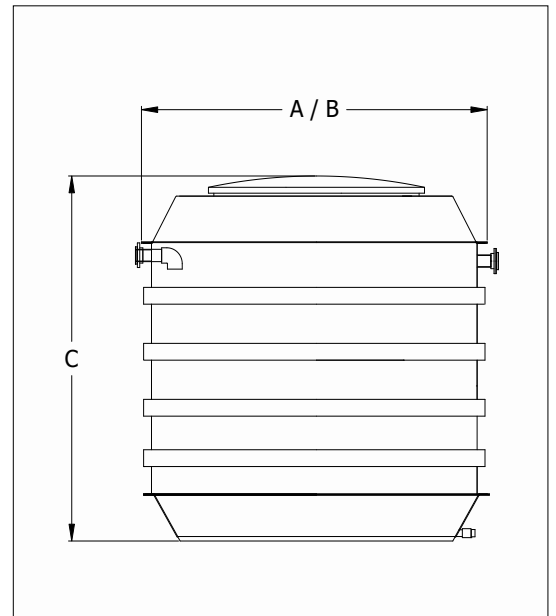
## TECHNICAL DATASHEET

The patented WCSEE Hybrid™ precision engineered modular treatment system delivers more efficient processing than a traditional Submerged Aerated Filter (SAF). The above or below ground modular T300 vessels are manufactured in GRP in a quality controlled environment.



## KEY FEATURES:

- High-rate process (submerged moving-bed, fixed-film reactor)
- Capable of achieving low ammonia effluent quality
- Site footprint requirement 30% smaller (comparable technologies)
- Energy consumption reduced in line with footprint reduction
- Off-site build significantly reduces installation time
- Scalable to accommodate growing populations
- No mechanical or electrical moving parts within the cells
- Can be redeployed if the asset becomes redundant before end-of-life



## TECHNICAL TABLE:

Model	Length (mm)	Width (mm)	Height (mm)	Length w/ handr (mm)	Width w/ handr (mm)	Height w/ handr (mm)	In/Outlet Size	Inlet Invert (mm)	Outlet Invert (mm)	Media Retention (m³)	Dry Weight (TE)	Operating Weight (TE)	Dry Weight After Oper (TE)	Available for hire
	(A)	(B)	(C)	(A)	(B)	(C)								✓
<b>T300</b>	3200	3200	3260	N/A	N/A	4180	4"	580	630	11.20	1.3	19	1.5	

### Disclaimer

WCS Environmental Engineering has a policy of continual product development and the above information may be subject to change without notice. Errors and omissions excepted. Technical drawings are indicative only. WCS Environmental Engineering Ltd is a portfolio company of Marlowe PLC.  
Updated September 2024